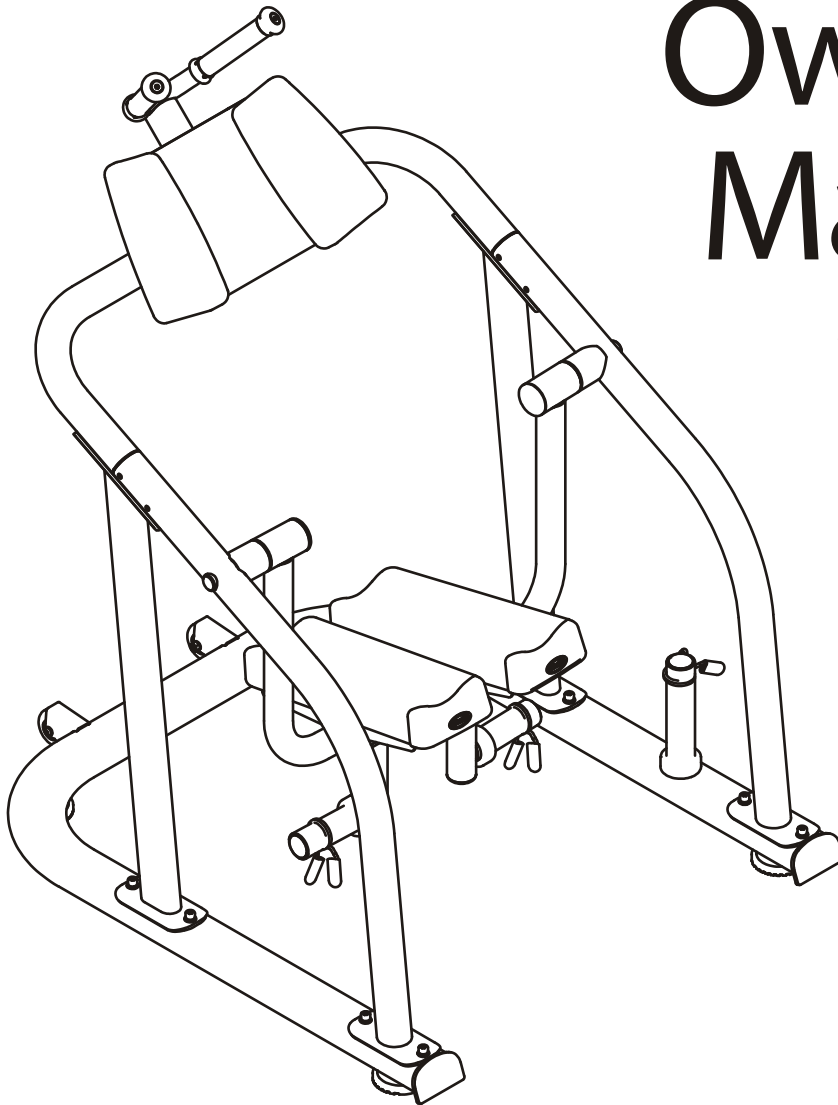




Owner's Manual

Model # ABS1002



Inside Warranty Information



! CAUTION

Read all precautions and instructions
in the manual before using this equipment.

Table Of Contents

Important Safety Instructions-----	3
Instructions-----	4
Parts List-----	5
Exploded View-----	6
Measurement Guide-----	7
Assembly Instructions-----	8
Assembly-----	9
Maintenance Schedule-----	14
General Maintenance Information-----	15
Weight Training Tips-----	16
Warranty-----	17



Read all precautions and instructions
in the manual before using this equipment.

Important Safety Instructions

Before beginning any fitness program, you should obtain a complete physical examination from your physician. When using exercise equipment, basic precautions should always be taken, including the following:

1. Read all instructions before using the equipment.
These instructions are written to ensure your safety and to protect the unit.
2. Use the equipment only for its intended purpose as described in this guide.
Do not use accessory attachments that are not recommended by the manufacturer: such attachments might cause injuries.
3. The product should only be used on a level surface and is with 0.5 meters space around the product.
Do not use the equipment outdoors.
4. Do not allow children on or near the equipment. And children are not allowed to use this equipment.
Teenagers should use this equipment with adult supervision.
5. Do not overexert yourself or work to exhaustion.
Do not attempt to lift more weight than you can control safely.
If you feel any pain or abnormal symptoms, stop your workout immediately and consult your physician.
6. This equipment is not used as medical apparatus and instruments.
7. Never operate the unit when it has been dropped or damaged.
Never drop or insert anything into any opening in the equipment.
Always check the unit and its cables before each use. Make sure that all fasteners and cables are secure and in good working condition.
Frayed or worn cables can be dangerous and may cause injury. Periodically check these cables for any indication of wear.
Keep hands, limbs, loose clothing and long hair well out of the way of moving parts.
8. Be careful when getting on or off the equipment.
9. Wear proper exercise clothing and shoes for your workout, no loose clothing.

Personal Safety During Assembly

Read each step in the assembly instructions and follow the steps in sequence. Do not skip ahead. If you skip ahead, you may learn later that you have to disassemble components and that you may have damaged the equipment.

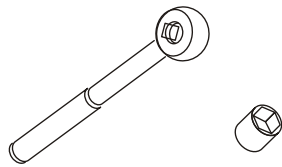
Assemble and operate the equipment on a solid, level surface. Locate the unit a few feet from walls or furniture to provide easy access. The equipment is designed for your enjoyment. By following these precautions and using common sense, you will have many safe and pleasurable hours of healthful exercise with the equipment.

Instructions

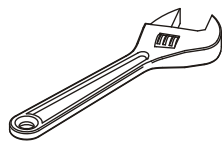
Before beginning assembly please take the time to read instructions thoroughly. Please use the various lists in this manual to make sure that all parts have been included in your shipment. When ordering, use part number and description from the lists. Use only our replacement part when servicing. Failure to do so will void your warranty and could result in personal injury.

The equipment is designed to provide the smoothest, most effective exercise motion possible. After assembly, you should check all functions to ensure correct operation. If you experience problems, first recheck the assembly instructions to locate any possible errors made during assembly. If you are unable to correct the problem, call your authorized dealer. Be sure to have your serial number and this manual when calling. When all parts have been accounted for, continue on.

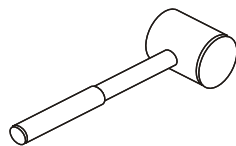
Tools Required



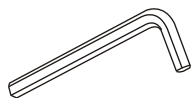
Ratchet Wrench and Socket



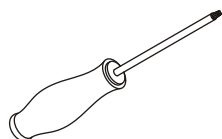
Adjustable Wrench



Rubber Mallet



Hex Key Wrench Set



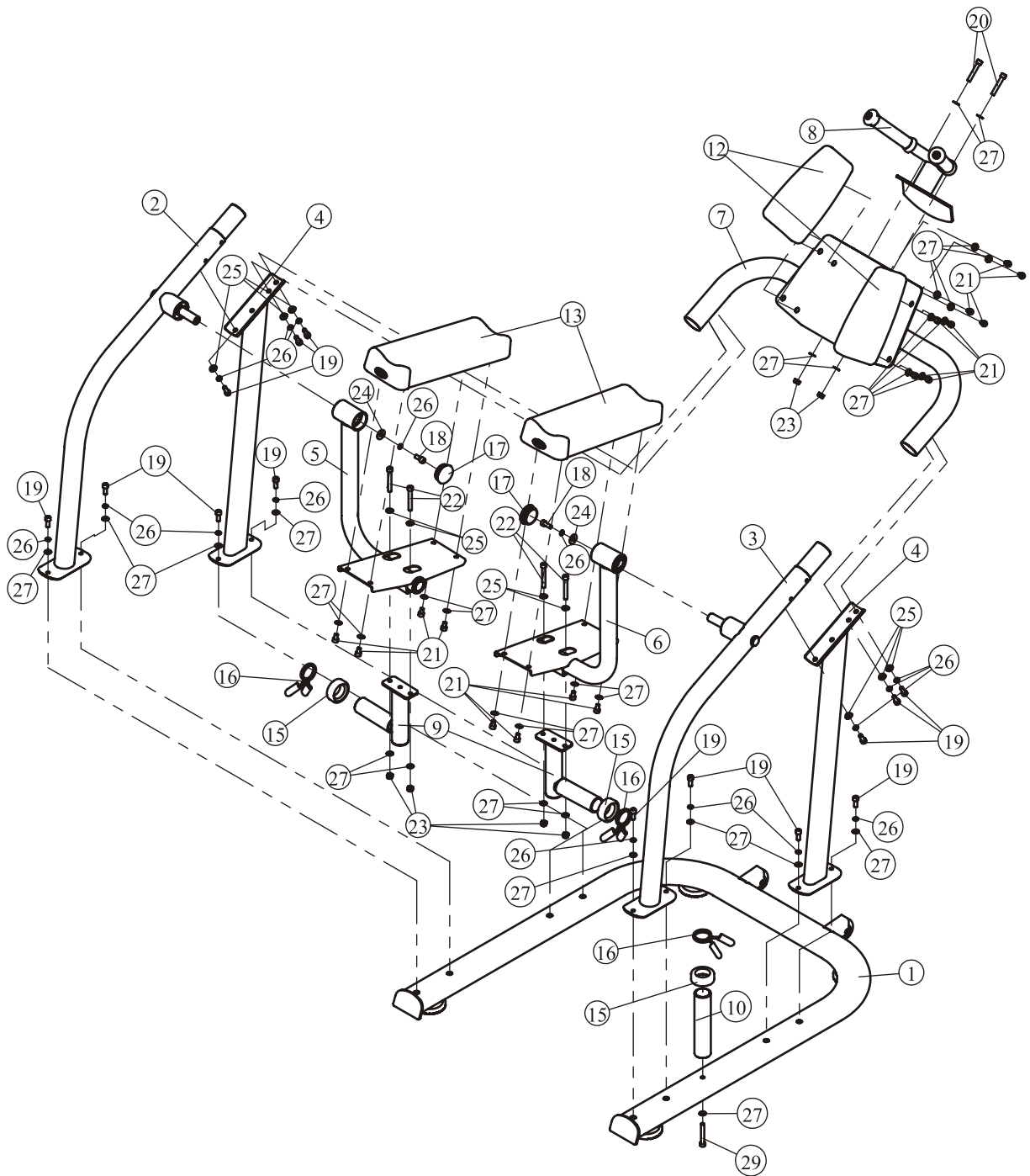
Phillips Screwdriver

Parts List

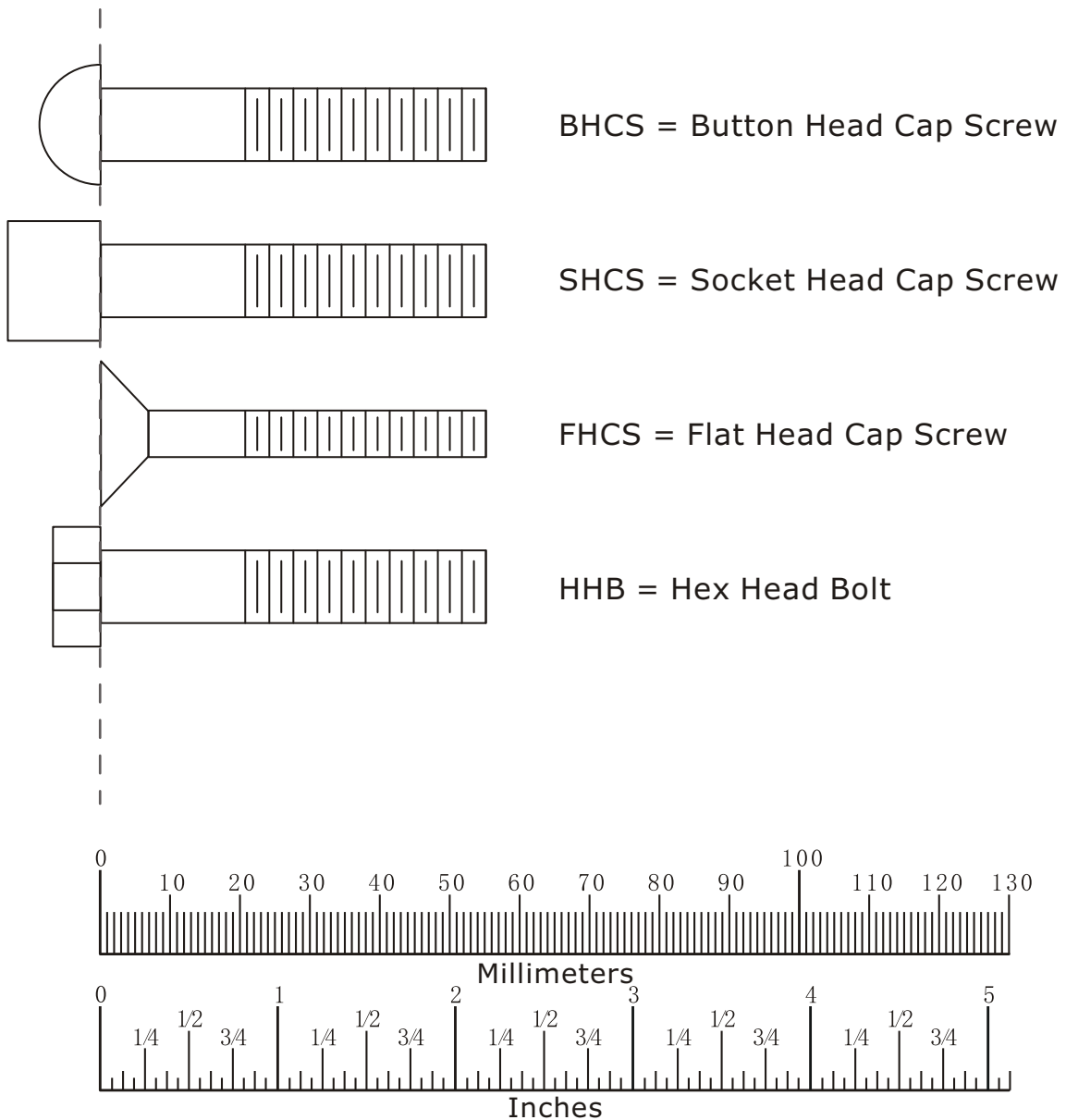
NOTE: SOME OF THESE PARTS MAY COME PRE-INSTALLED.

Item No.	Description	Qty
1	Base Combination ASSY	1
2	Right Elbow Support	1
3	Left Elbow Support	1
4	Carriage	2
5	Right Pendulum Holder ASSY	1
6	Left Pendulum Holder ASSY	1
7	Handrail Connecting Frame ASSY	1
8	Handle Holder ASSY	1
9	Counterweight Holder ASSY	2
10	Counterweight Place Holder ASSY	1
12	Arm Pad	2
13	Leg Pad Combination ASSY	2
15	Counterweight Collar	3
16	Clip Spring Combination ASSY	3
17	Pipe Plug	2
18	Resistant Socket Head Cap Screws M10*25	2
19	Socket Head Cap Screw M10*25	14
20	Socket Head Cap Screw M10*60	2
21	Socket Head Cap Screw M10*15	16
22	Socket Head Cap Screw M10*75	4
23	Nylon Lock Nut M10	6
24	Flat Washer $\Phi 11 \times \Phi 30 \times 2$	2
25	Curved Washer $\Phi 11 \times \Phi 21 \times 1.5$	10
26	Spring Washer $\Phi 10$	16
27	Flat Washer $\Phi 11 \times \Phi 20 \times 2$	33
28	Hex Key S=8	1
29	Socket Head Cap Screw M10*70	1

Exploded View



Measurement Guide



Diameter of bolt (mm/inch)	M6(1/4")	M8(5/16")	M10(3/8")	M12(1/2")	M16(5/8")
Tightening torque (N.m)	9~12	22~30	45~59	78~104	193~257
Operational methods for adult men	The strength of the wrist	The strength of the wrist and forearm	The strength of the entire arm	The strength of the arm and upper body	with all strength

Assembly Instructions

Assembly of the equipment takes professional installers about 2 hours. If this is the first time you have assembled this type of equipment, plan to spend more time. It is strongly recommended to assemble the equipment by professional installers. You may find it quicker, safer, easier to assemble this equipment with the help of a friend, as some of components may be large, heavy or awkward to handle alone. It is important that you assemble your product in a clean, clear, uncluttered area. This will enable you to move around the product while you are fitting components and reduce the possibility of injury during assembly.

NOTE

As with any assembled part, proper alignment and adjustment is critical. While tightening the fasteners, be sure to leave room for adjustments. Do not fully tighten the fasteners until instructed to do so. Be careful to assemble the components in the sequence presented in this guide.

Assembly

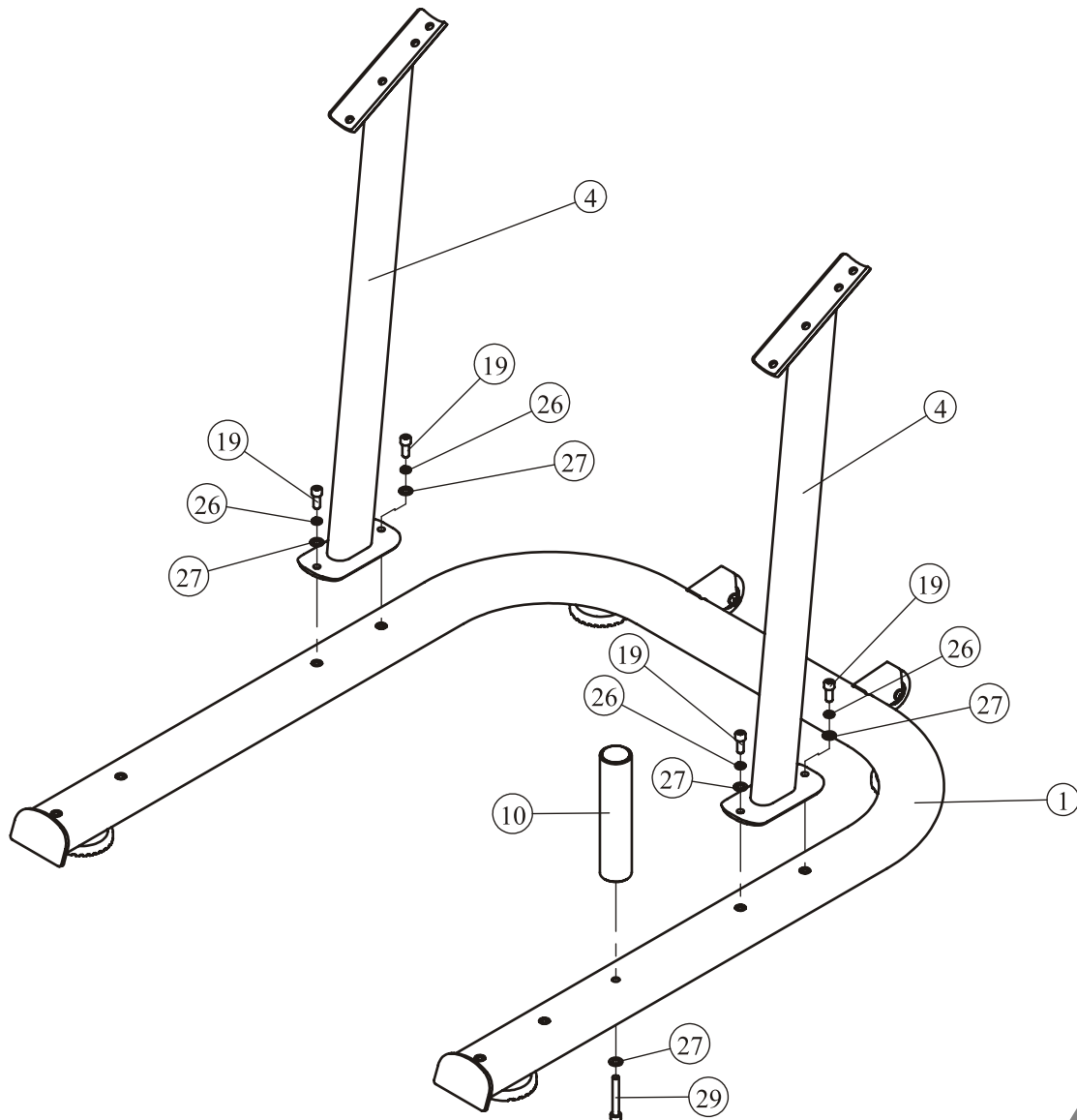
Step 1

1. Attach the Counterweight Place Holder ASSY (#10) to the Base Combination (#1) using:
 - one M10*70 SHCS (#29)
 - one $\Phi 11*\Phi 20*1.5$ Flat Washer (#27)

Note: Tighten the screw.

2. Attach the Carriage (#4) to the Base Combination ASSY (#1) using:
 - four M10*25 SHCS (#19)
 - four $\Phi 10$ Spring Washer (#26)
 - four $\Phi 11*\Phi 20*1.5$ Flat Washer (#27)

Note: To not tighten the screws.



Assembly

Step 2

Attach the Handrail Connecting Frame ASSY (#7) to the Right Elbow Support (#2) and Left Elbow Support (#3), then attach them to the Carriages (#4) and the Base combination ASSY (#1) using:

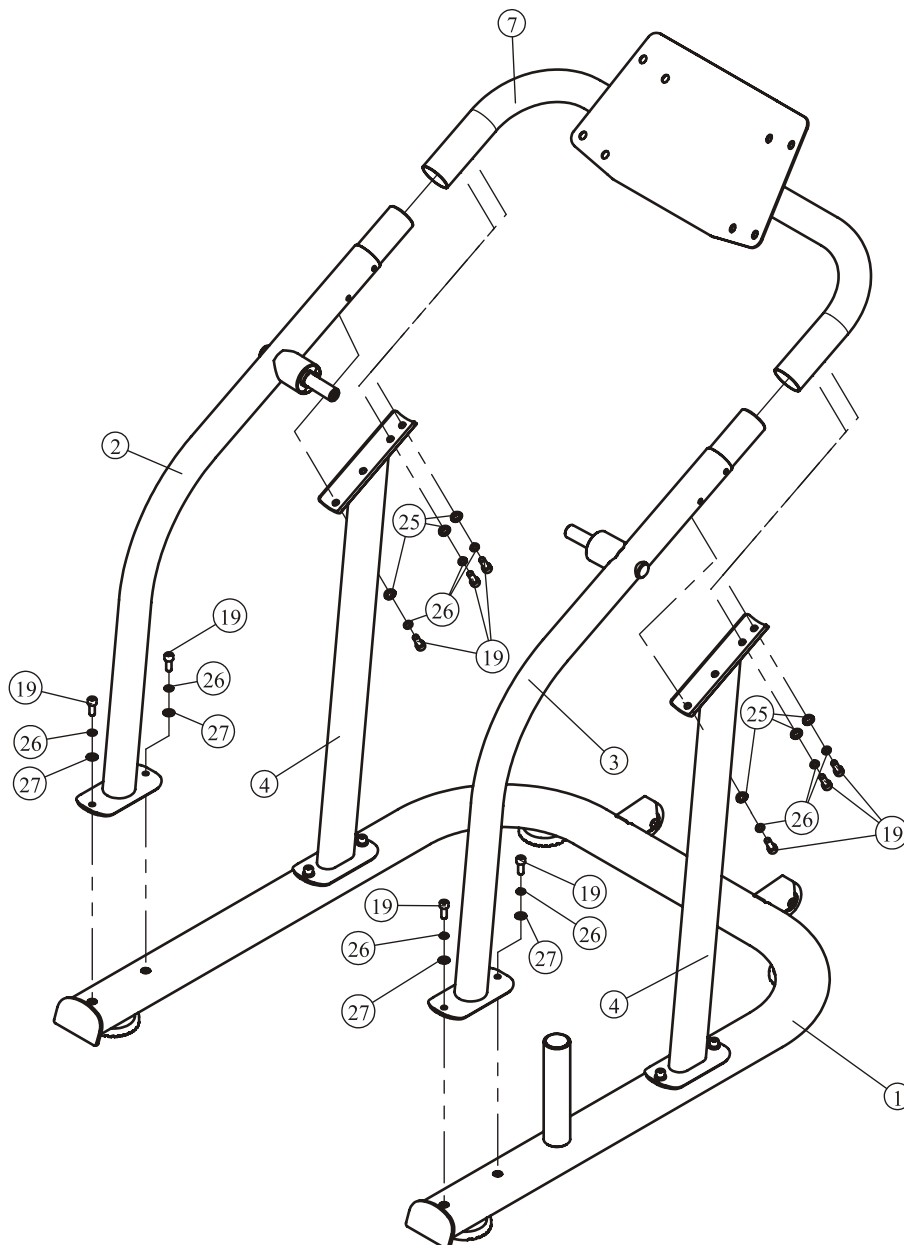
six $\Phi 11 * \Phi 21 * 1.5$ Curved Washer (#25)

ten $\Phi 10$ Spring Washer (#26)

four $\Phi 11 * \Phi 20 * 1.5$ Flat Washer (#27)

ten M10*25 SHCS (#19)

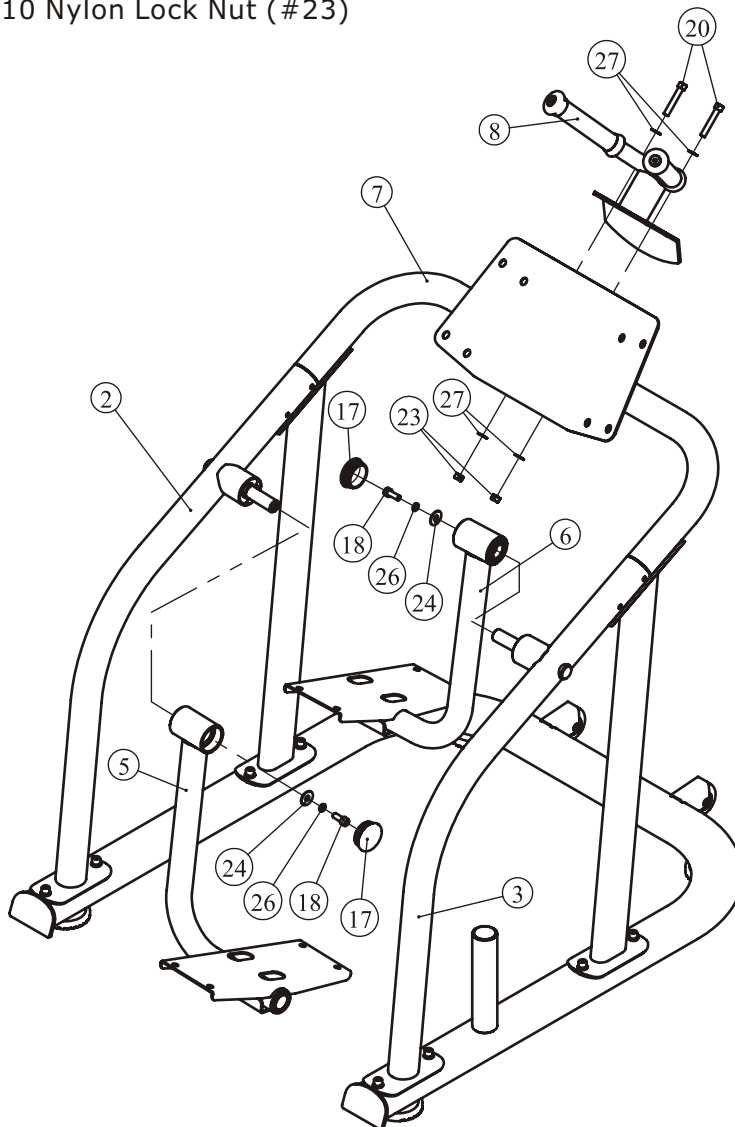
Note: Do not tighten the screws during installation, the installation is complete tighten the screws.



Assembly

Step 3

1. Attach the Right Pendulum Holder ASSY (#5) to the Right Elbow ASSY (#2) using:
one $\Phi 11*\Phi 30*2$ Flat Washer (#24) one $\Phi 10$ Spring Washer (#26)
one M10*25 RSHCS (#18)
2. Attach the Left Pendulum Holder ASSY (#6) to the Left Elbow ASSY (#3) using:
one $\Phi 11*\Phi 30*2$ Flat Washer (#24) one $\Phi 10$ Spring Washer (#26)
one M10*25 RSHCS (#18)
3. Attach Pipe Plugs (#17) to the Right Pendulum Holder ASSY (#5) and Left Pendulum Holder ASSY (#6).
4. Attach the Handle Holder ASSY (#8) to the Handrail Connecting Frame ASSY (#7) using:
two M10*75 SHCS (#20) four $\Phi 11*\Phi 20*1.5$ Flat Washer (#27)
two M10 Nylon Lock Nut (#23)

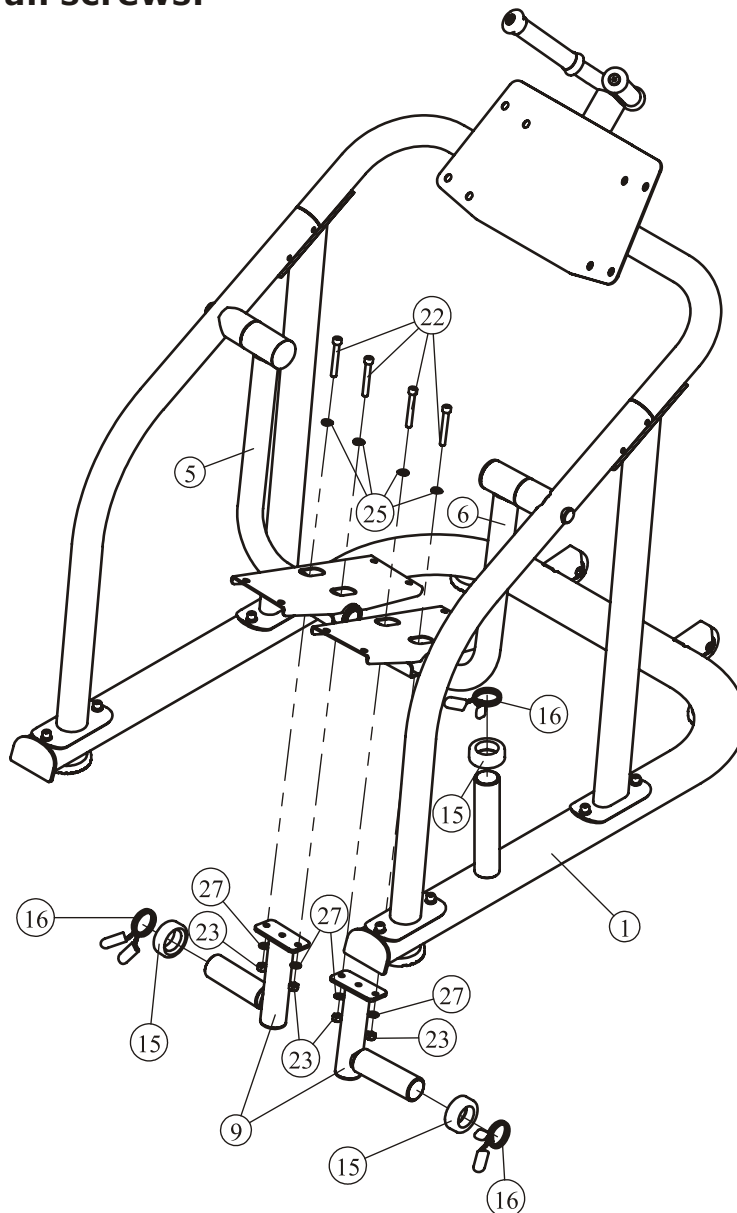


Assembly

Step 4

1. Attach the Counterweight Holder ASSY (#9) to the Right Pendulum Holder ASSY (#5) and the Left Pendulum Holder ASSY (#6) using:
four M10*75 SHCS (#22)
four $\Phi 11*\Phi 21*1.5$ Curved Washer (#25)
four $\Phi 11*\Phi 20*1.5$ Flat Washer (#27)
M10 Nylon Lock Nut (#23)
2. Attach the Counterweight Collar (#15) and Clip Spring Combination ASSY (#16) to the Counterweight Holder ASSY (#9) and the Counterweight Place Holder ASSY (#10).

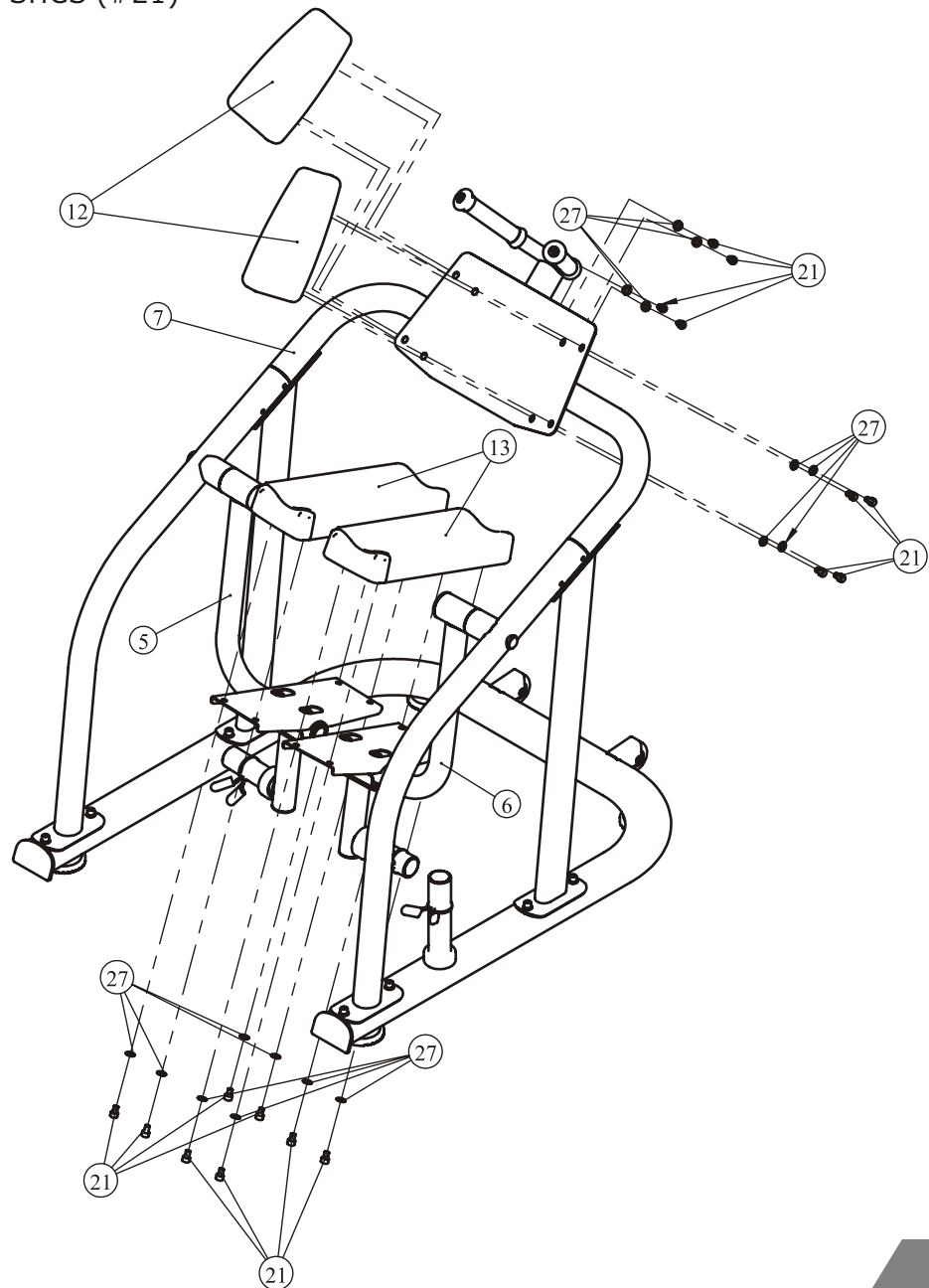
Note: Tighten all screws.



Assembly

Step 5

1. Attach the Arm Pad (#12) to the Handrail Connecting Frame ASSY (#7) using:
eight $\Phi 11 * \Phi 20 * 1.5$ Flat Washer (#27)
eight M10*15 SHCS (#21)
2. Attach the Leg Pad Combination ASSY (#13) to the Right Pendulum Holder ASSY (#5) and the Left Pendulum Holder ASSY (#6) using:
eight $\Phi 11 * \Phi 20 * 1.5$ Flat Washer (#27)
eight M10*15 SHCS (#21)



Maintenance Schedule

ROUTINE	COMMERCIAL MAINTENANCE	HOME MAINTENANCE	LATEST DATE ENTRY						
Inspect; Links, Pull Pins, Snap Locks, Swivels, Weight Stack Pins	DAILY	WEEKLY							
Clean; Upholstery	DAILY	WEEKLY							
Inspect; Cables or Belts and their tension	DAILY	WEEKLY							
Inspect; Accessory Bars, and Handles	WEEKLY	3 MONTHS							
Inspect; All Decals	WEEKLY	3 MONTHS							
Inspect; All Nuts and Bolts, Tighten if needed	WEEKLY	3 MONTHS							
Inspect; Anti-Skid Surface	WEEKLY	3 MONTHS							
Clean & Lubricate; Guide Rods with a Teflon (PTFE) based lubricant (Superlube)	MONTHLY	3 MONTHS							
Lubricate; Seat Sleeves, Turcite Bushings, Linear Bearing	MONTHLY	3 MONTHS							
Clean and Wax; All Glossy Finishes	6 MONTHS	YEARLY							
Repack with Grease; Linear Bearings	6 MONTHS	YEARLY							
Replace; Cables, Belts and Connecting Parts	YEARLY	3 YEARS							

Your equipment comes with a commercial maintenance decal. For personal, in home use, please follow the home maintenance schedule listed above.

General Maintenance Information

Links, Pull-Pins, Snap Hooks, Swivels, Weight Stack Pins:

- * Check all pieces for signs of visible wear or damage.
- * Check springs in snap hooks and pull-pins for proper tension and alignment.
- * If the spring sticks or has lost its rigidity, replace it immediately.

Upholstery:

- * To ensure prolonged upholstery life and proper hygiene, all upholstered pads should be wiped down with a damp cloth after every workout.
- * Periodically take the time to use a mild soap or an approved vinyl upholstery cleaner to deter the onset of cracking or drying. Avoid using any abrasive cleaners or cleaners not intended for use on vinyl.
- * Replace ripped or worn upholstery immediately.
- * Keep sharp or pointed objects clear of all upholstery.

Decals:

- * Inspect and familiarize yourself with any safety warnings or other user information posted on each decal.

Nuts and Bolts:

- * Inspect all nuts and bolts for any loosening and tighten if needed.
- * Go through a re-tightening sequence periodically to ensure that all hardware is tensioned proper.

Anti-Skid Surfaces:

- * These surfaces are designed to supply secure footing and need to be replaced if they appear worn or become slippery.

Belts and Cables:

- * We use only high quality belt, and mil-spec cables.
- * Visually inspect the belts and cables for fraying, cracking, peeling or discoloration.
- * While the machine is not in use, carefully run your fingers along the belt or cable to feel for thinning or bulging areas.
- * Replace belts and cables immediately at the first signs of damage or wear. Do not use equipment until belts or cables have been replaced.

Belt and Cable Tension:

- * Referring to the Owners Manual, when belts or cables are used check all bolt attachments to be sure they are properly attached.
- * Check slack in cables and re-adjust cable tension if needed.

Seat Sleeves, Guide Rods:

- * Wipe down adjusting tubes with a dust free rag before applying lubricant.
- * Lubricate seat sleeves and Guide Rods with a Silicon or Teflon based lubricant spray.

Linear Bearings:

- * Referring to the Owners Manual carefully disassemble the bearing from its housing and place a finger full of light grease (lithium, super lube, etc.) into the inside of the bearing. Using your finger, press the grease into the ball-bearings and their tracks. Repeat until the ball-bearing tracks are full of grease. Insert the shaft back into the bearing and wipe off excess grease.

PLEASE KEEP THIS FOR YOUR RECORDS

Weight Training Tips

Use this manual to guide you through the basic exercises you can perform on your equipment. To gain maximum results and avoid possible injury, consult a fitness professional to develop your complete exercise program.

Always consult your physician before starting any exercise program.

To be successful in your exercise program, it is important to develop an understanding of the basic principles of strength training. Now that you have your equipment, it is only natural that you want to get started immediately. First, determine a set of realistic goals and objectives for yourself. By deciding on an exercise plan that is right for you prior to starting, you will contribute significantly to your success.

Warm up properly before engaging in weight resistance training. Stretching, yoga, jogging, calisthenics or other cardiovascular exercise can help prepare your body for the heavier workload of lifting weights.

Learn how to perform the exercise correctly before using heavy weight. Correct form is important to avoid injury and to ensure that you work the proper muscle groups.

Know your limitations. If you are new to weight training or are embarking on an exercise regimen after a long layoff, start slowly and build foundational strength over a longer period of time.

Pay attention to your breathing. Exhale when you exert is a general rule of thumb. Never hold your breath.



Manufacturer's Limited Warranty

The manufacturer warrants that your Ab Coaster® is free of defects in materials and workmanship and will, at its option, repair or replace any defective Ab Coaster® that is returned to it. Except as described in the following sentence, all parts and components of the Ab Coaster are warranted for three (3) years from the original date of purchase. All pads are warranted for ninety (90) days from the date of original purchase.

This warranty is valid only in accordance with the conditions set forth below:

1. Normal wear and tear are not covered by this warranty.
2. The warranty extends only to the original consumer purchaser and is not transferable. In addition, proof of purchase must be demonstrated. This warranty is void if the product has been subject to accident, misuse, abuse, improper maintenance or repair, or unauthorized modification.
3. This limited warranty is the only written or express warranty given by the manufacturer. Any implied warranty of merchantability or fitness for a particular purpose on this product is limited in duration to the duration of this warranty. Some states do not allow limitations on how long an implied warranty lasts, so the above limitation may not apply to you.
4. Repair or replacement of the product (or, if repair or replacement is not feasible, a refund of the purchase price) is the exclusive remedy of the consumer under this warranty. The manufacturer shall not be liable for any incidental or consequential damages for breach of this warranty or any implied warranty on this product. Some states do not allow the exclusion or limitation of incidental or consequential damages, so the above limitation or exclusion may not apply to you.
5. This warranty gives you specific legal rights, and you may also have other rights which vary from state to state.

Procedure for Warranty Repairs or Replacement:

If warranty service is necessary the original purchaser must call 866-219-5335 x 0 for instruction.

Proof of purchase will be required for service.

The Abs Company, 173 US Highway 206, Chester Springs Shopping Mall, Chester, NJ 07930

www.TheAbsCompany.com



Thank you for purchasing the AbsBench.
Our customer service staff is ready to help
and to answer any questions.

Our phone number is: 908-879-2713

Please call us if you have any questions.
Customer service staff can be reached
Monday to Friday from 9:00 AM to 5:00 PM Eastern Standard Time.

You can also send us an email, or visit our website
for additional customer service information.

Prior to calling or emailing,
please have the following information with you:

- Customer Name and Address
- Telephone Number
- Proof of Purchase
- Product Model Number



The Abs Company, 173 US Highway 206, Chester Springs Shopping Mall, Chester, NJ 07930
1-866-219-5335 | www.TheAbsCompany.com

© 2015 The Abs Company. All Rights Reserved.

V1-150110