

REPLACING THE ABSOLO COUNTER AND SENSOR ASSEMBLY

Changing out the Sensors and the Counter Unit on the AbSolo will take a bit of preparation but is relatively easy to do. We encourage you to read through this whole guide before starting the process and familiarize yourself with the steps before you begin.

To change out the counter console, start by unclipping the 3 different leads that run to the back of the console. Next remove the 4 bolts/screws that mount the console to the bracket on the side of the unit.

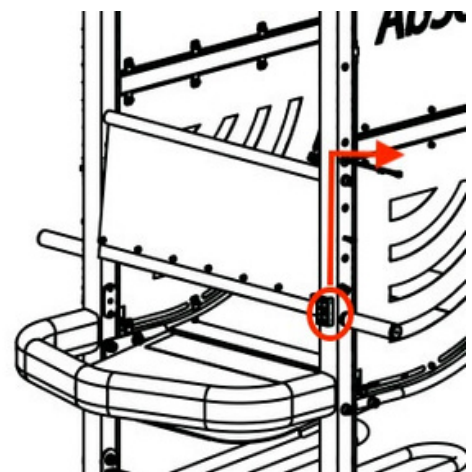
NOTE; if you are replacing one of the old black console units (from a unit with a serial number starting SW and using a Red reset button), with a newer design console you will also need to swap out the mounting bracket as well by removing the 2 bolts that hold it to the rest of the frame. Once this is done you can reattach the new bracket that will hold the new, larger console.

Once the console has been removed, you can begin preparing for the extraction of the wires that lead to the sensor and the reset button. It is highly recommended that you make use of a guideline (be it string or fishing line or another wire taped to the end of the one you are extracting of equal or greater length) prior to removing any wires to help facilitate the process of re-stringing new ones.

The sensor assembly consists of an IR emitter, a long transfer wire, a short transfer wire, and a IR receiver. The reset button consists of either a red button with a tail wire, or a green button and it's related transfer wire. All connections are designed so as to prevent incorrect assembly, varying the type of connection at each step.

The Reset Button

The Reset button wire runs from the console bracket down the right side of the frame to the reset button mount. Simply unscrew the mounting screws on the front of the reset button and then carefully extract the button and wire from the unit being sure to pull your guide line through. Detach the guide line and dispose of the old button and wire. Reattach the guide line and pull the tail of the reset button back up through the frame of the unit to the top access point by the console bracket.

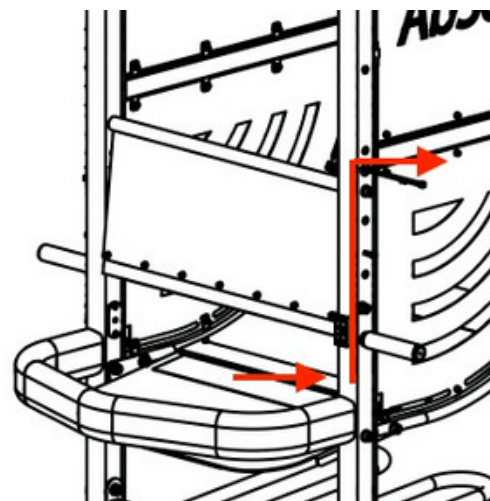


Note: The green reset button will be anchored to the mount plate that screws into the front of the unit. It can be removed by unscrewing the small locking bolt off the back of the plate and then pressing the button itself through the plate.

Resecure the front-facing screws that mount the reset button to the machine to complete the Reset Button replacement step.

Replacing the Receiver (right side)

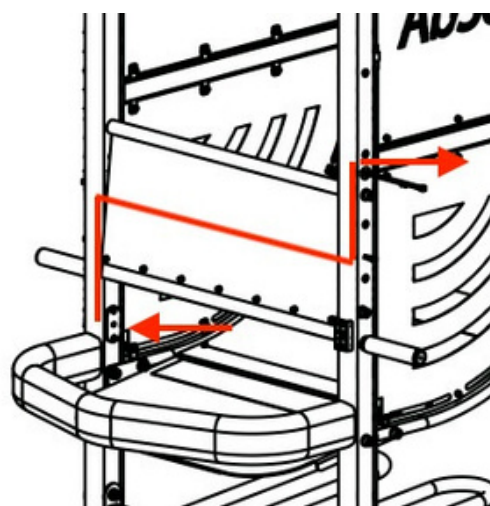
The receiver wire runs from the console bracket down the right side of the frame to the receiver mount on the inside of the frame. Simply unscrew the mounting screws on the front of the receiver and then carefully extract the sensor and wire from the unit being sure to pull your guide line through. Detach the guide line and set the old receiver aside. Reattach the guide line to the new receiver tail and pull the tail back up through the frame of the unit to the top access point by the console bracket.



Replacing the Emitter (left side)

The emitter assembly consists of the emitter (with attached wire) and two additional wires. The first wire runs from the console mount point down to the front center target plate. The second wire runs through a small pipe welded to the back of the front center target plate and the emitter itself runs down the left side frame.

Begin by disconnecting the 2 connections on the inside of the basket at either end of the front center target plate. Next, remove the plate from the unit by unbolting its four mounting bolts. Once it is removed, you can extract the center wire by removing the end caps and then extracting the wire from the metal tube. Do not forge to use your guide line.



The emitter wire runs from the midpoint on the left side of the unit down to the emitter mount plate at the mouth of the ball return on the inside of the frame. Simply unscrew the mounting screws on the front of the emitter and then carefully extract the sensor and wire from the unit being sure to pull your guideline through. Detach the guideline and set the old emitter aside. Reattach the guideline to the new emitter tail and pull the tail back up through the frame of the unit to the access point in the frame.

Reattach the front center target plate and then reconnect the left and right connections. Reconnect all the wires at the top of the unit to the console itself. Test the unit to make sure it's working properly.

If there are questions during an install for a tech, PLEASE do not hesitate to call us and discuss! We are happy to assist and make sure that every install goes smoothly. We are happy to hop on FaceTime or Zoom and video chat to make sure things are set up correctly. Just call 866-219-5335 Option 5 and we can set up a video conference.

Call for details: **1-866-219-5335** Outside the US: **1-908-879-2713**

www.TheAbsCompany.com

The Abs Company, 8429 Lorraine Rd #362, Lakewood Ranch, FL 34202