



REPLACING THE TARGET & BAFFLE ON THE ABSOLO

Replacing a damaged or worn target on the AbSolo is a very easy process.

First remove the outer cover from the back of the unit. This can be done by carefully peeling apart the velcro flaps that hold it in place around the frame.

Once removed you will have access to the large, rectangular sound baffle. This can be removed from the target as well as it is only attached via velcro.

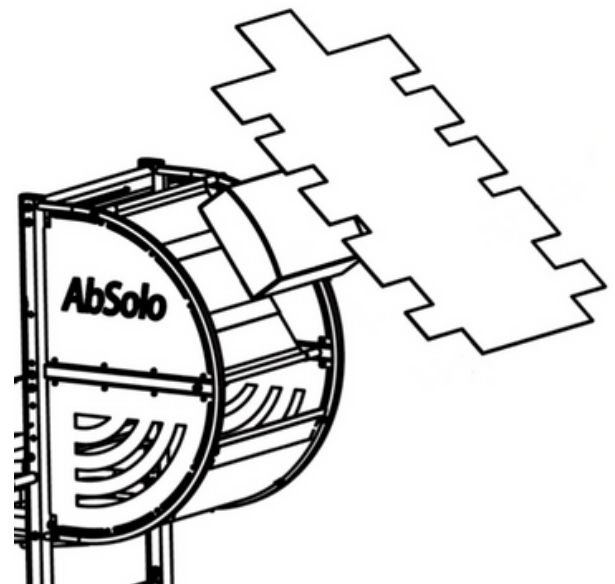
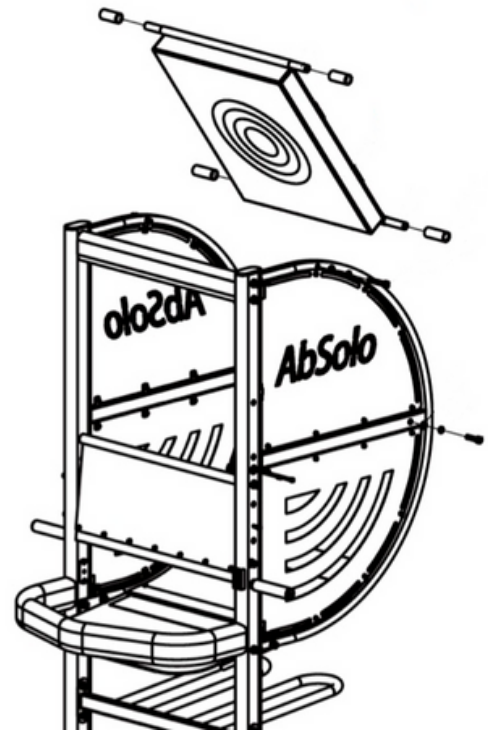
It is important to remember that the top support rod and related hardware are different from the lower rod and it's related hardware. Please take the necessary steps to ensure that they are properly separated and do not get transposed.

Remove the upper support rod and set the hardware aside. Then remove the lower support rod and set it aside. Remove the target from the rods and discard. Re-insert the support rods back into the top and bottom of the target.

Attach the top support rod back to the main frame of the AbSolo with its related hardware and then repeat this activity with the lower support rod.

Re-attach the sound dampening baffle to the back of the target and then re-secure the cover to the back of the unit being sure to secure all the velcro flaps to either the machine or the cover itself. The Target replacement is now complete.

If there are questions during an install for a tech, PLEASE do not hesitate to call us and discuss! We are happy to assist and make sure that every install goes smoothly. We are happy to hop on FaceTime or Zoom and video chat to make sure things are set up correctly. Just call 866-219-5335 Option 5 and we can set up a video conference.



Call for details: **1-866-219-5335** Outside the US: **1-908-879-2713**

www.TheAbsCompany.com

The Abs Company, 8429 Lorraine Rd #362, Lakewood Ranch, FL 34202